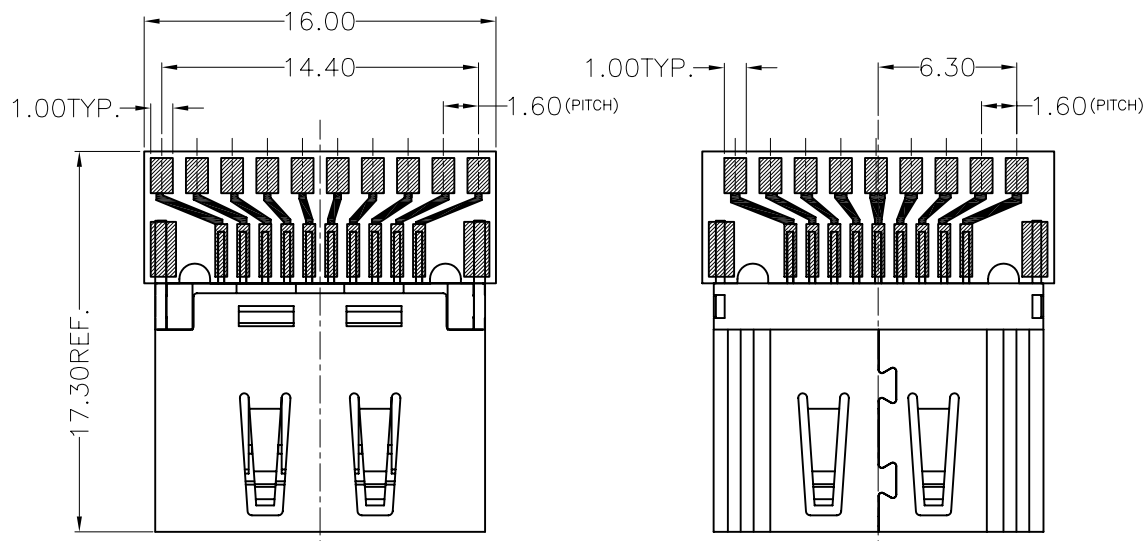
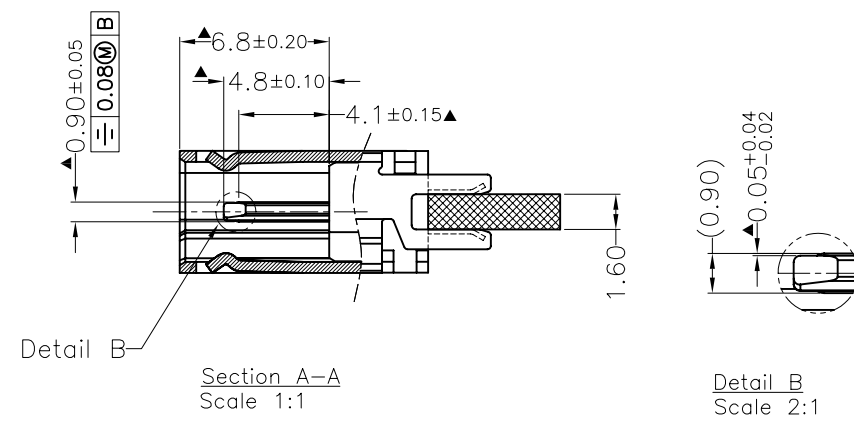
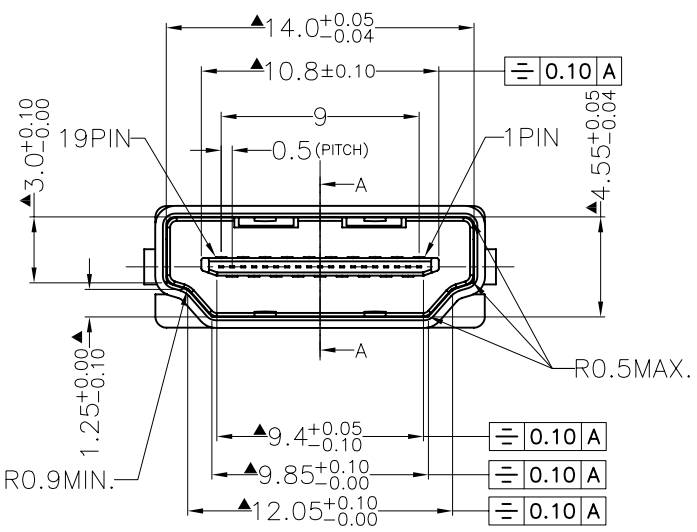


版次 REV.	变更编号 ECN.NO.	编号位置 LOCATIONS	变更内容 MODIFY.CONTENT	负责人 DESIGN	变更日期 DATE



- Specifications:
- 1.Insertion force:44.1N MAX.
 - 2.Withdrawal force:9.8~39.2N.
 - 3.Durability:10000 Cycles.
 - 4.Current rating:0.5A
 - 5.Voltage rating:40V AC MAX.
 - 6.Dielectric strength:
500V AC MIN.(UNMATED)
300V AC MIN.(MATED)
 - 7.Contact resistance:30mΩ MAX.
 - 8.Insulation resistance:
100MΩ DC MIN(UNMATED)
10MΩ DC MIN(MATED)
 - 9.Temperature: -40℃ TO +85℃
 - 10.All the material must accord with the RoHS.
 - 11.The important dimensions with "▲"



					TOLERANCE UNSPECIFIED		图号 DWG.NO.	绘图 DRAWN	比例 SCALE	3:1
04	PCB	FR-4	1	Thickness is 1.6mm	X.±0.30	X.'±4'	品名 PART.NAME	审核 CHECKED	单位 UNITS	mm
03	Terminal	C5191	19	Gold plated within connect area ,Tin plated within solder area	.X±0.20	.X'±3'		HDMI 19PF 线端 A 款-3 外壳 0.5mm 带板 (1.6mm)	核准 APPROVED	
02	Housing	LCP	1	LCP+30%GF UL94-V0, Color is black	.XX±0.15	.XX'±2'	料号 PART.NO.	日期 DATE		
01	Shell	SPCC/C2680	1	Plating nickle or gold overall	.XXX±0.05	.XXX'±1'	版次 REV.	Coorle Technology		
序号 NO.	品名 PART NAME.	材料 MATERIAL	用量 QTY	备注说明 NOTE	页次 SHEET	1/2	尺寸 SIZE			
1	2	3	4	5	6	7	8	9		